

UNIVERSAL

REF 3592

ALUMINUM FRONT PLATE - FORK MOUNTING



ALLEN N° 6
N° 4
N° 3

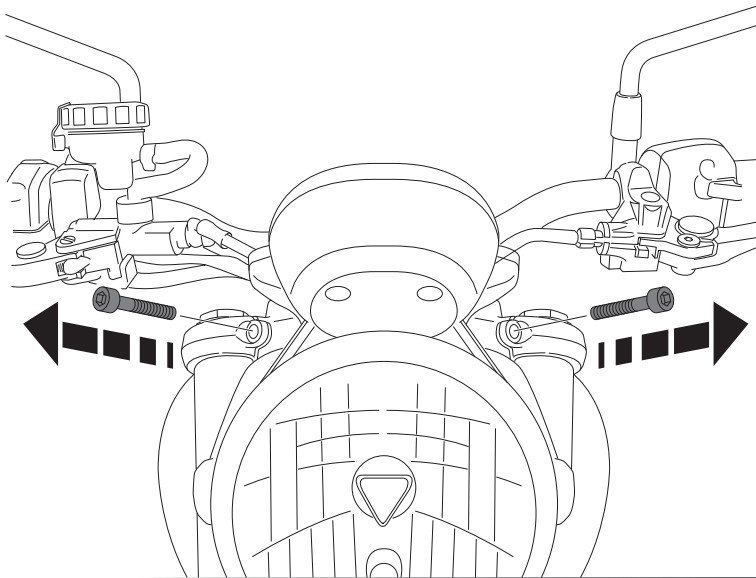
ID	PIEZA/PART	DESCRIPCIÓN	DESCRIPTION	QTY	REF
1		Placa frontal ALUMINIO	ALUMINUM front plate	1	9807P/N
2		Soporte escuadra	Bracket	2	SOPORT30X30-581
3		Varilla Ø9 x 200	Ø9 x200 Dispstick	2	VARILL205--0261
4		Tapa varilla	Bar cover	4	TOPEE-VPGT--8/4
5		Tornillo Allen M6x8 ISO 7380 Negro	M6x8 ISO7380 Black Allen screw	2	TORNI-I7380-825
6		Tornillo Allen M8x40 DIN 912	M8x40 DIN 912 Allen screw	2	TORNI-D912-475
7		Cilindro con taladro pasante de 23	23 cylinder with drill through	2	CILINRTP---0217
8		Tornillo Allen hexagono interior M8x8 DIN913	M8x8 DIN 913 allen hexagonal screw	2	TORNIA88---0184
9		Arandela Nylon M6x0,5	M6x0,5 nylon washer	2	ARANDEPNVCN0246
10		Tornillo Allen M6x35 din912	M6x35 DIN912 Allen screw	2	TORNI-D912--447
11		Tuerca M6 autoblocante	M6 Self-Locking nut	2	TUERCA-D982-745
12		Brida varilla	Dispstick bridle	2	FIXVARLL-O-PR16
13		Tuerca brida-escuadra	Bridle-bracket locknut	2	FIXSOPOR-O-PR16
14		Casquillo Ø8,5 x Ø13 x 15	Ø8,5 x Ø13 x 15 arrowhead	2	CASQUI-M----614
15		Ribete 6,2x2,6mm longitud 190mm *SOLO PARA PLACA FRONTAL ALUMINIO (REF:9807)	6,2x2,6mm trim length 190mm *ONLY FOR ALUMINUM FRONT PLATE (REF:9807)	1	RIBETETP---0900

UNIVERSAL

MONTAJE HORQUILLA / FORK MOUNTING / MONTAGE FORK

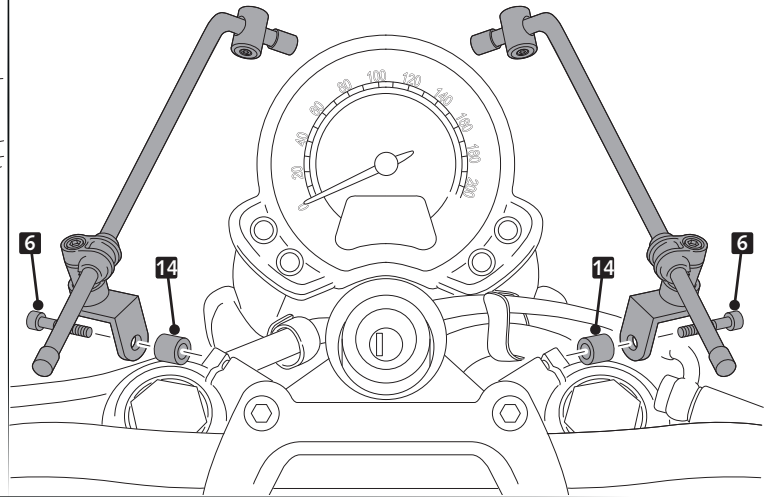
1

DISASSEMBLY
DESMONTAJE



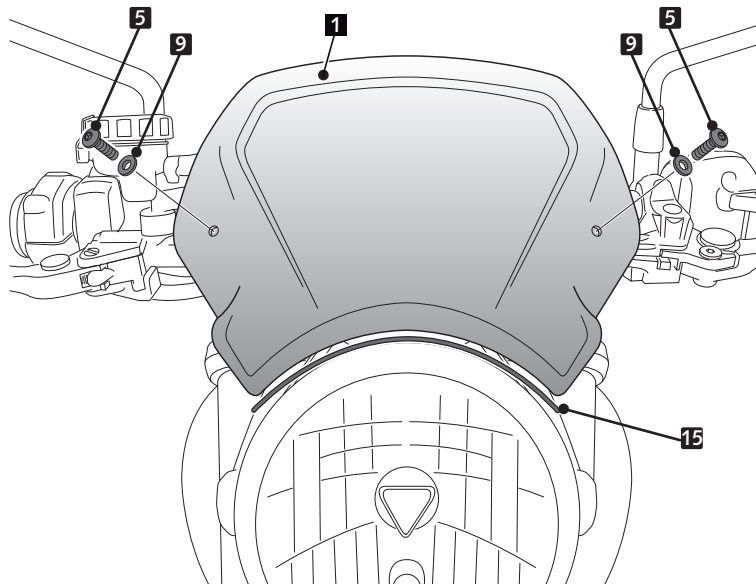
2

ASSEMBLY
MONTAJE



3

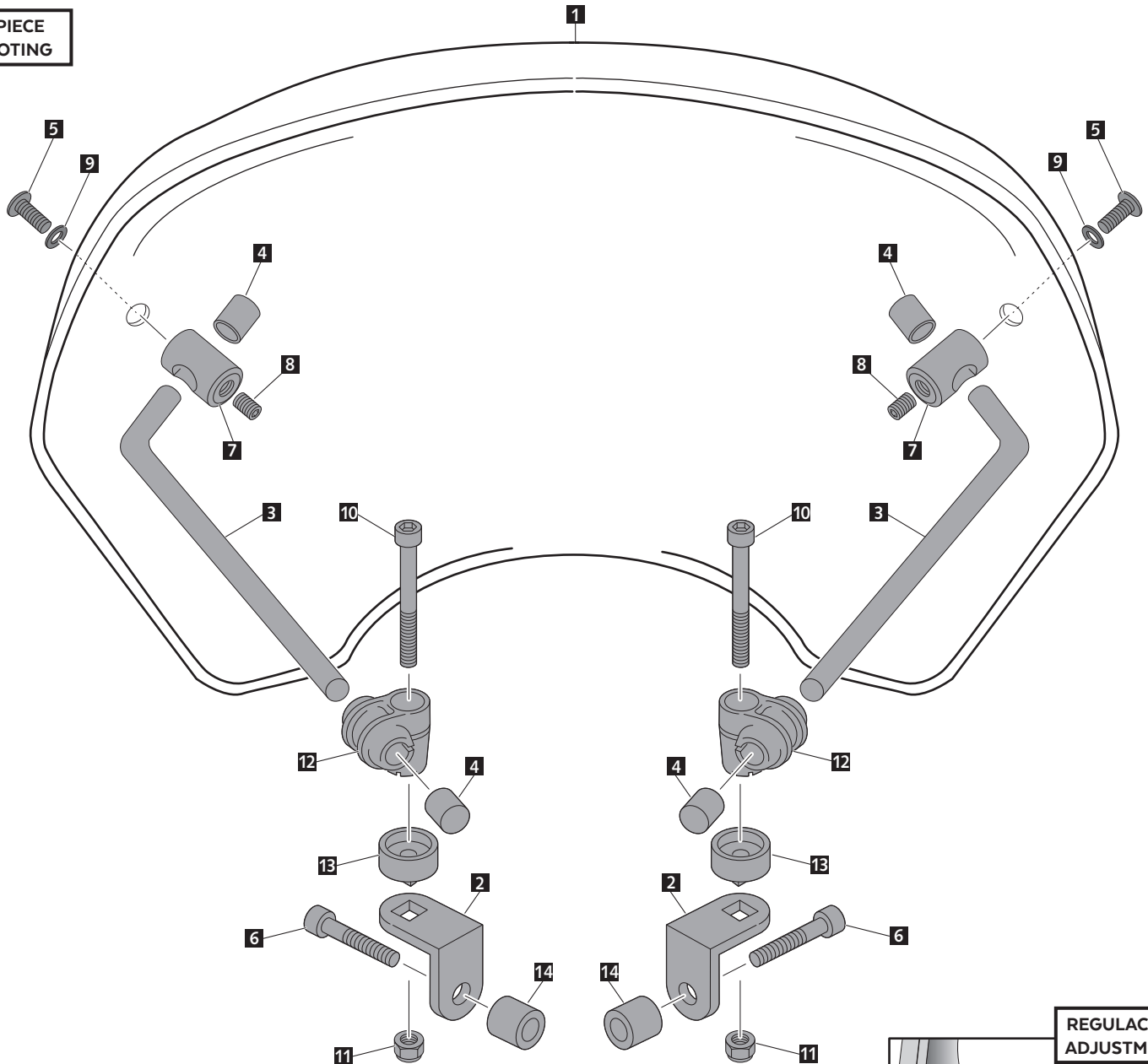
ASSEMBLY
MONTAJE



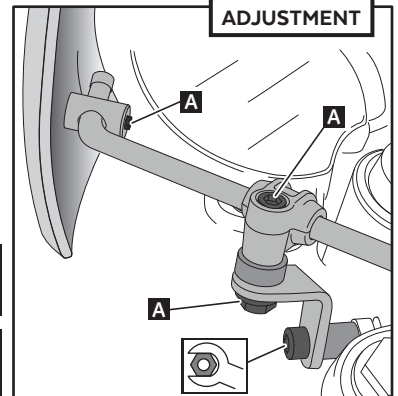
UNIVERSAL

MONTAJE HORQUILLA / FORK MOUNTING / MONTAGE FORK


DESPIECE
EXPLOTING



REGULACIÓN
ADJUSTMENT



A Ajustar la posición, en ambos lados, de los soportes y apretar los tornillos indicados.
Adjust position of the supports on both sides and tighten the fasteners indicated.

 - Par de apriete tornillos N° 6 (23Nm). / - Tightening torque for screws n° 6 (23Nm).
- Anzugsdrehmoment Schrauben N° 6 (23Nm).